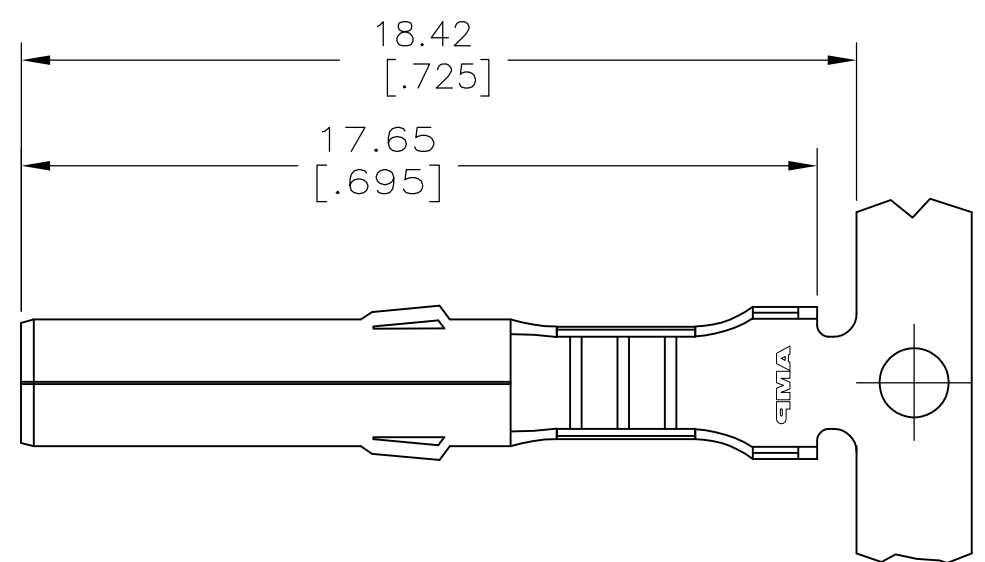
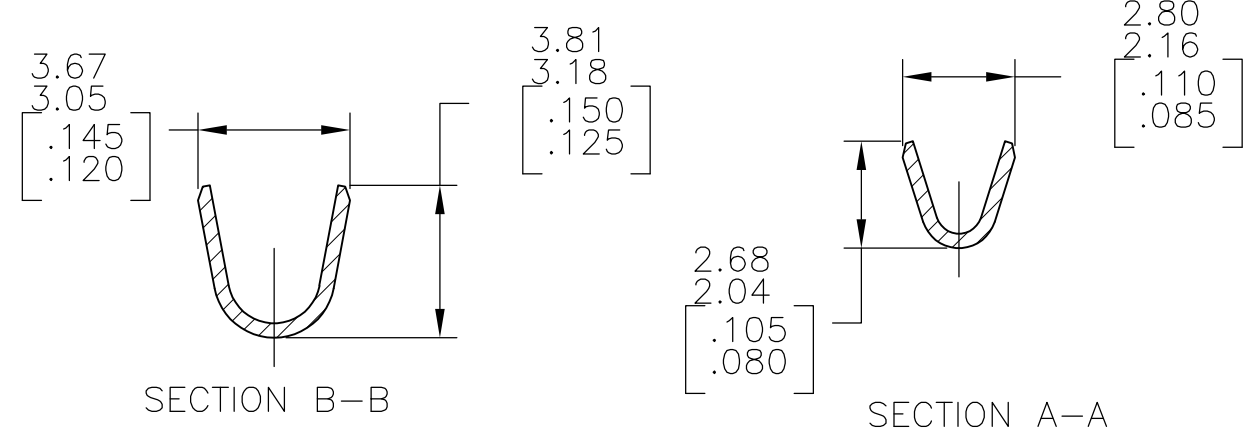
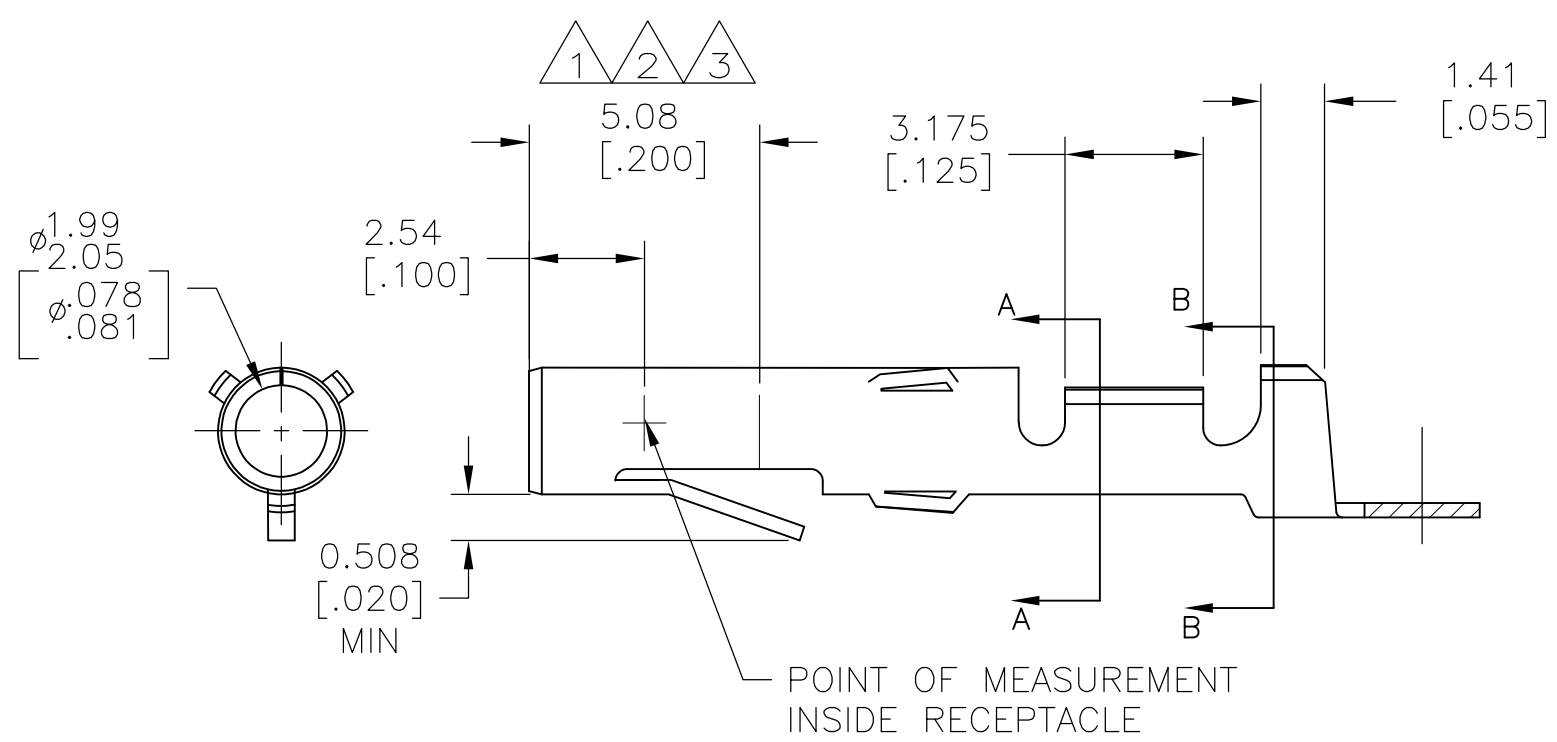


THIS DRAWING IS UNPUBLISHED. RELEASED FOR PUBLICATION
 © COPYRIGHT - RUTH, JEFFERY ALL RIGHTS RESERVED.

LOC	DIST	REVISIONS			
P	LTR	DESCRIPTION	DATE	DWN	APVD
CM	00	AB2	REDRAWN AND PER ECR 12-013810	24SEPT12	KH TM



- 1 NICKEL ON ENTIRE TERMINAL WITH 0.00076[.000030] GOLD OVER INSIDE OF MATING AREA AND WIRE BARREL.
- 2 GOLD FLASH OVER NICKEL ON ENTIRE TERMINAL WITH 0.00076[.000030] GOLD OVER MATING AREA.
- 3 NICKEL ON ENTIRE TERMINAL WITH 0.00076[.000030] GOLD OVER INSIDE OF MATING AREA.
- 4 WIRE RANGE 24-18.
- 5 INSULATION DIA .100 MAX.



APPLICATOR TYPE	FINISH	MATERIAL	PART NO
MINI	GOLD 3	.012 BRASS	61314-7
MINI	GOLD 3	.012 PH BRZ	61314-6
MINI	GOLD 1	.012 BRASS	61314-5
MINI	PRE TIN	.012 PH BRZ	61314-4
MINI	-	.012 PH BRZ	61314-3
MINI	-	.012 BRASS	61314-2
MINI	PRE TIN	.012 BRASS	61314-1

THIS DRAWING IS A CONTROLLED DOCUMENT.		DWN KIRAN HOLAL 29JUN2012	STE TE Connectivity													
DIMENSIONS: mm [INCHES]		CHK RUTH,JEFFERY 29JUN2012														
TOLERANCES UNLESS OTHERWISE SPECIFIED:		APVD RUTH,JEFFERY 29JUN2012	NAME SOCKET™ COMMERCIAL MATE-N-LOK™													
<table border="0"> <tr><td>0 PLC</td><td>± -</td></tr> <tr><td>1 PLC</td><td>± -</td></tr> <tr><td>2 PLC</td><td>± 0.38 [.015]</td></tr> <tr><td>3 PLC</td><td>± -</td></tr> <tr><td>4 PLC</td><td>± -</td></tr> <tr><td>ANGLES</td><td>± 1°</td></tr> </table>		0 PLC	± -	1 PLC	± -	2 PLC	± 0.38 [.015]	3 PLC	± -	4 PLC	± -	ANGLES	± 1°	PRODUCT SPEC -	SIZE A3	
0 PLC	± -															
1 PLC	± -															
2 PLC	± 0.38 [.015]															
3 PLC	± -															
4 PLC	± -															
ANGLES	± 1°															
MATERIAL SEE TABLE		FINISH SEE TABLE	CAGE CODE 00779	DRAWING NO C-61314												
CUSTOMER DRAWING		SCALE 6:1		SHEET 1 OF 1												
		RESTRICTED TO -		REV AB2												